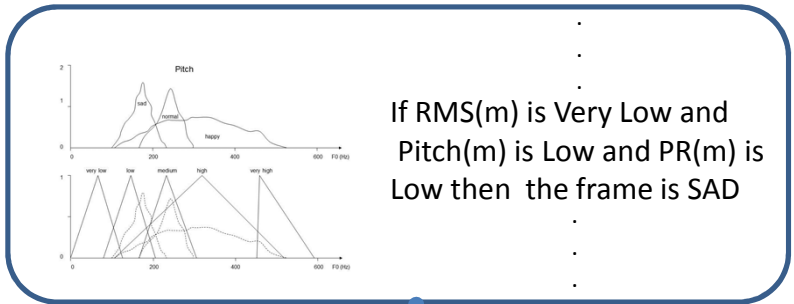
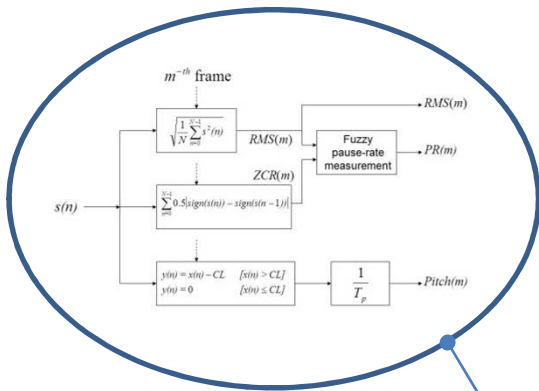




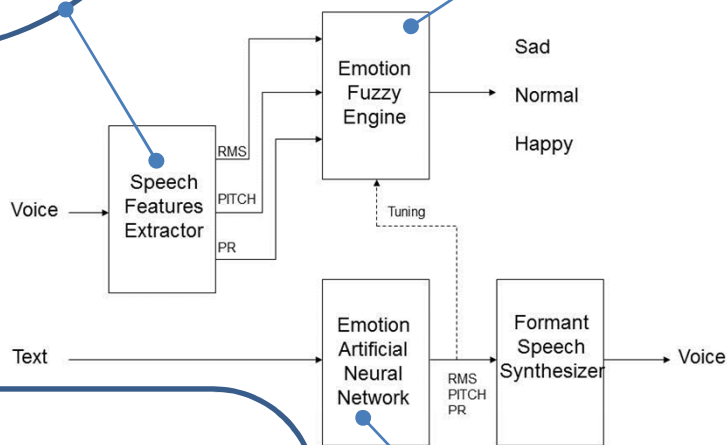
Smart Recognition and Synthesis of Emotional Speech for Embedded Systems with Natural User Interfaces

Laboratorio
DSPRTS

Mario Malcangi
DSP&RTS Laboratory
DICO - Università degli Studi di Milano, Via Comelico 39,
20135 Milano, Italy
malcangi@ dico.unimi.it



If RMS(m) is Very Low and Pitch(m) is Low and PR(m) is Low then the frame is SAD



$L(S)R = /p/$
where

L: left context
R: right context
S: string to be matched
p: phonetic sequence

(PHOTO) = /1f/1o/1w/1t/2o/2w/

([:])PHOTO) = /1f/0o/0w/1t/1o/1w/

